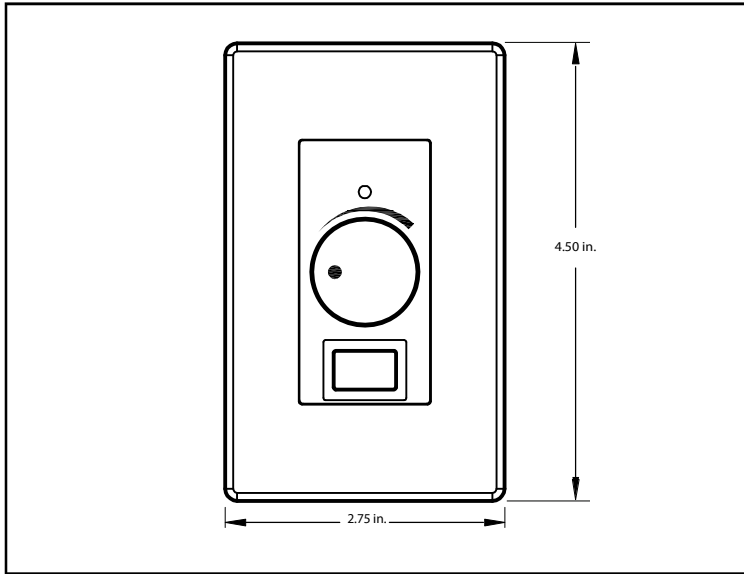




# POTENTIOMETER SPEED CONTROL SUBMITTAL

FOR CONTROL OF SINGLE OR MULTIPLE EC MOTORS

MODEL	VALUE ( $\Omega$ )	LINEARITY	TOLERANCE
POT-1	10K	$\pm 0.25\%$	$\pm 5\%$



<b>PROJECT</b>	
<b>ENGINEER</b>	
<b>ARCHITECT</b>	
<b>CONTRACTOR</b>	
<b>SUBMITTED BY</b>	
<b>DATE</b>	

### SELECTION & QUANTITY

Enter part number into the configuration field above

POT-1 Qty. \_\_\_\_\_

### POTENTIOMETER SPEED CONTROL DESCRIPTION

Single-turn wirewound potentiometer used to vary the speed of electrically commutated (EC) motors (Air Pear, Designer Series, Retail Series, Q Series). Speed controls for shaded pole or PSC motors: refer to the TRIAC submittal. Speed control for EL fans: refer to the FanCenter submittal.

### ATTRIBUTES AND CHARACTERISTICS

- Precision potentiometer
- On/Off button
- Power indicator light
- Screw terminals for easy wire connections
- Linear taper
- 1 turn
- Resistance tolerance:  $10k \Omega \pm 5\%$
- Linearity tolerance:  $\pm 0.25\%$
- Faceplate (4.5" x 2.75")

### GENERAL NOTES

- If control wire exceeds 1000 ft refer to Potentiometer wiring (external power source)
- A single controller can be used to control multiple fans with the same speed setting
- Connecting the red and yellow leads will allow EC fans to operate at full speed
- Wire runs up to 1000 feet (305 m) can be made using 20 - 24 AWG control wire. Wire runs longer than 1000 ft will require the addition of a 10 - 12VDC power supply (not included)

### WARRANTY

- Warranty - 1 - years parts and workmanship

