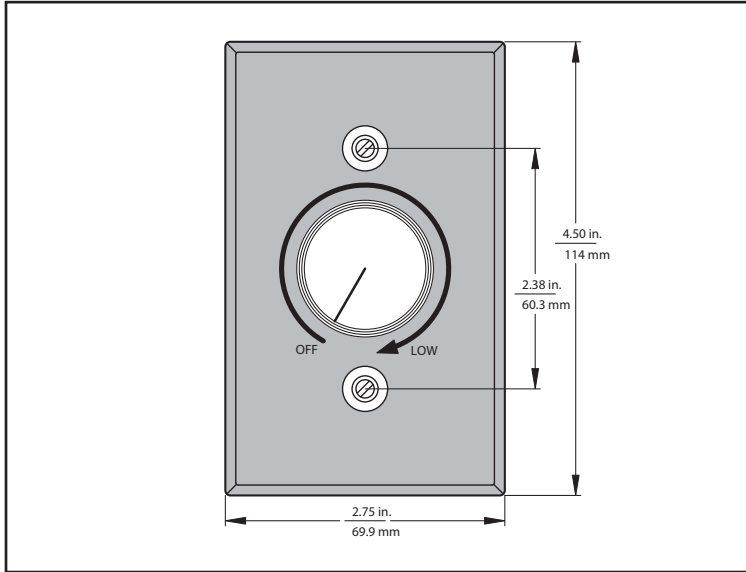




**TRIAC-120-1.5 SPEED CONTROL SUBMITTAL**  
CONTROL OF SINGLE SHADED POLE/PSC MOTOR

MODEL	VOLTAGE	AMPS
TRIAC-120-1.5	120V	1.5



PROJECT	
ENGINEER	
ARCHITECT	
CONTRACTOR	
SUBMITTED BY	
DATE	
QUANTITY	

**PART NUMBER & QUANTITY**

TRIAC-120-1.5 Qty. \_\_\_\_\_

**TRIAC SPEED CONTROL DESCRIPTION**

Airius speed controls are used to vary the speed of shaded pole (SP) or permanent split capacitor (PSC) motors. Speed controls for EC motors: refer to the potentiometer submittal. Speed control for EL fans: refer to the FanCenter submittal.

**ATTRIBUTES AND CHARACTERISTICS**

- Built-in On/Off AC line switch
- RFI filter (provides RFI and EMI suppression)
- All models mount in a standard 2" x 4" electrical wall box
- Faceplate (4.5" x 2.75"), knob, screws and wire nuts included
- Simple installation by a qualified electrician
- Off - Max - Hi - Med - Low speeds (4 step)
- Can control a single fan

**CODE APPROVAL**

- UL listing/recognition
- CSA certified

**WARRANTY**

- Warranty - 1 - years parts and workmanship

