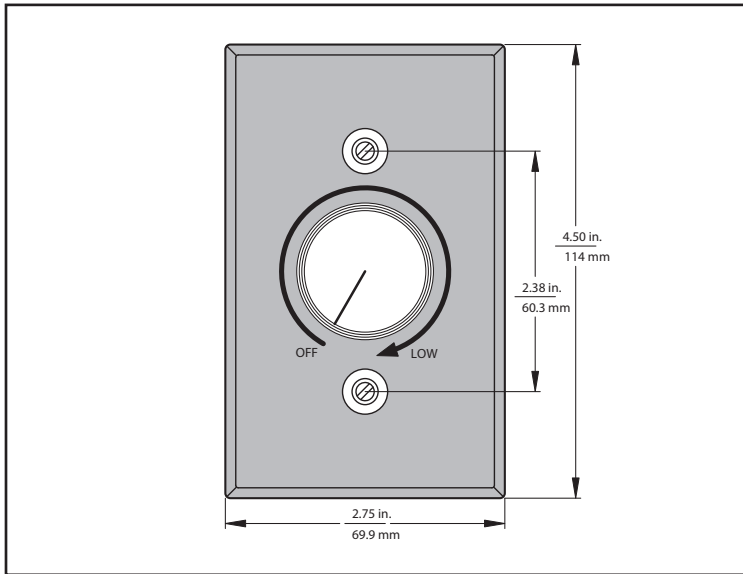




**TRIAC-120-15 SPEED CONTROL SUBMITTAL**  
CONTROL OF SINGLE OR MULTIPLE SHADED POLE/PSC MOTORS

MODEL	VOLTAGE	AMPS
TRIAC-120-15	120V	15



**TRIAC SPEED CONTROL DESCRIPTION**

Airius speed controls are used to vary the speed of shaded pole (SP) or permanent split capacitor (PSC) motors. Speed controls for EC motors: refer to the potentiometer submittal. Speed control for EL fans: refer to the FanCenter submittal.

**ATTRIBUTES AND CHARACTERISTICS**

- Built-in On/Off AC line switch
- Minimum speed trimpot
- RFI filter (provides RFI and EMI suppression)
- All models mount in a standard 2" x 4" electrical wall box
- Faceplate (4.5" x 2.75"), knob, screws and wire nuts included
- Simple installation by a qualified electrician
- Adjust top 50% RPM
- Can control multiple fans on a single dedicated circuit

**CODE APPROVAL**

- UL listing/recognition
- CSA certified

PROJECT	
ENGINEER	
ARCHITECT	
CONTRACTOR	
SUBMITTED BY	
DATE	
QUANTITY	

**WARRANTY**

- Warranty - 1 - years parts and workmanship

**PART NUMBER & QUANTITY**

TRIAC-120-15 Qty. \_\_\_\_\_

Note: Expect the fan to hum at the lower to middle speed where the sine-wave chopping is most severe. Fan control works best when fully loaded

