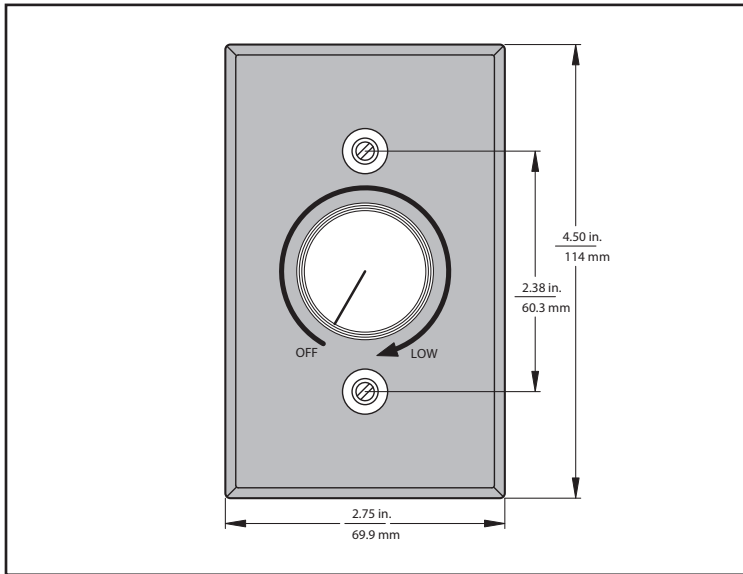




TRIAC-230-8 SPEED CONTROL SUBMITTAL
CONTROL OF SINGLE OR MULTIPLE SHADED POLE/PSC MOTORS

MODEL	VOLTAGE	AMPS
TRIAC-230-8	230V	8



PROJECT	
ENGINEER	
ARCHITECT	
CONTRACTOR	
SUBMITTED BY	
DATE	
QUANTITY	

PART NUMBER & QUANTITY

TRIAC-230-8 Qty. _____

Note: Expect the fan to hum at the lower to middle speed where the sine-wave chopping is most severe. Fan control works best when fully loaded

TRIAC SPEED CONTROL DESCRIPTION

Airius speed controls are used to vary the speed of shaded pole (SP) or permanent split capacitor (PSC) motors. Speed controls for EC motors: refer to the potentiometer submittal. Speed control for EL fans: refer to the FanCenter submittal.

ATTRIBUTES AND CHARACTERISTICS

- Built-in On/Off AC line switch
- Minimum speed trimpot
- RFI filter (provides RFI and EMI suppression)
- All models mount in a standard 2" x 4" electrical wall box
- Faceplate (4.5" x 2.75"), knob, screws and wire nuts included
- Simple installation by a qualified electrician
- Adjust top 50% RPM
- Can control multiple fans on a single dedicated circuit

CODE APPROVAL

- UL listing/recognition
- CSA certified

WARRANTY

- Warranty - 1 - years parts and workmanship

