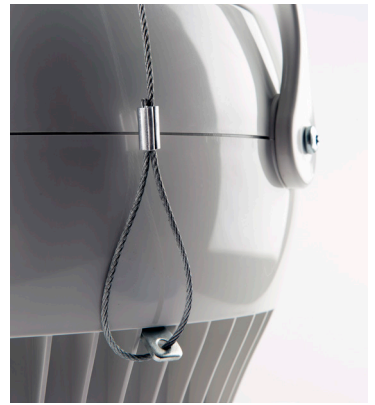
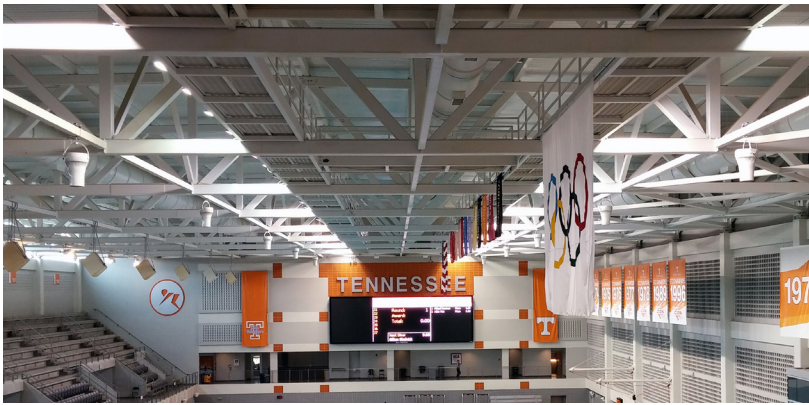




# AIR PEAR EC

Improve comfort in your facility with a system of our best selling fans.



## DISTRIBUTED COMFORT

Our most popular fan is designed to be installed as a distributed network of devices to continuously provide airflow across large spaces that suffer from stratification. The Air Pear series of fans feature our patented stator and unique nozzle design to gently throw air over long distances for ceiling to floor air rotation.

## WHERE WE HELP

- › Buildings with overhead air supply
- › Spaces 15 ft+ or higher
- › Warehouses, gyms, hangars or other large spaces
- › Areas where other fans will not physically fit

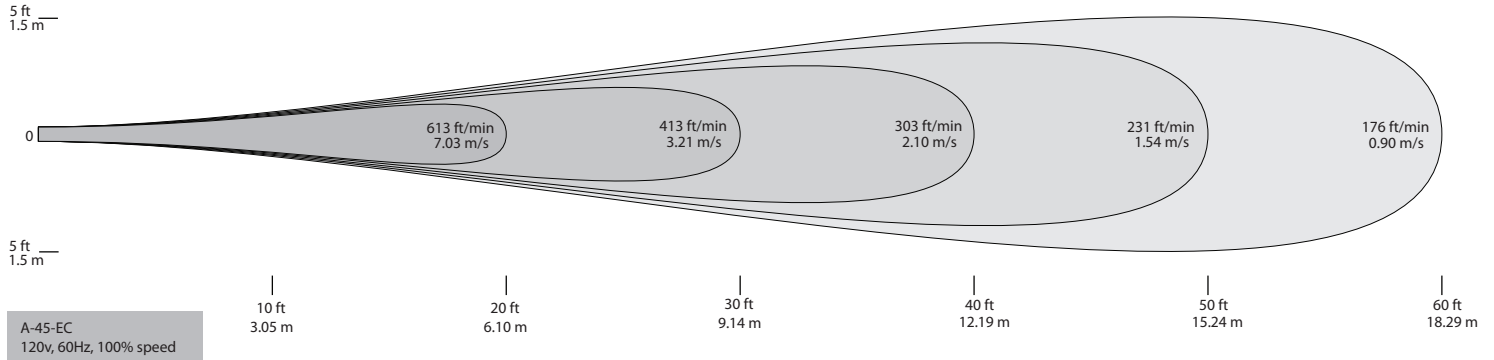
## Features

- › Premium electrically commutated motor by ebm-papst®
- › 4 sizes for various building heights
- › Easy installation in new construction or retrofits
- › Patented multi-vane stator and venturi nozzle
- › 3-year parts and workmanship warranty
- › 6 ft. steel leash and anchor point for safety
- › ETL Listed in U.S. and Canada
- › 5VA Flame resistance rating
- › Made in the U.S.A.

## Optional

- › Manual wall mounted control
- › Wi-Fi App based Pearlink control
- › BACnet MS/TP card for integration with existing front end control system
- › Optional intake grille

# AIR PEAR 45-EC



**Housing:** PC/ABS, 5VA flame resistance.

**Motor:** 250mm, electrically commutated, thermally-protected axial motor by ebm-papst®, 92% efficient. Operating temperature: -13° F (-25° C) to 140° F (60° C). No lubrication required, bearings are sealed.

**Power Cord:** 6 foot cord and plug provided for 100-130V fans, no plug for 200-250V.

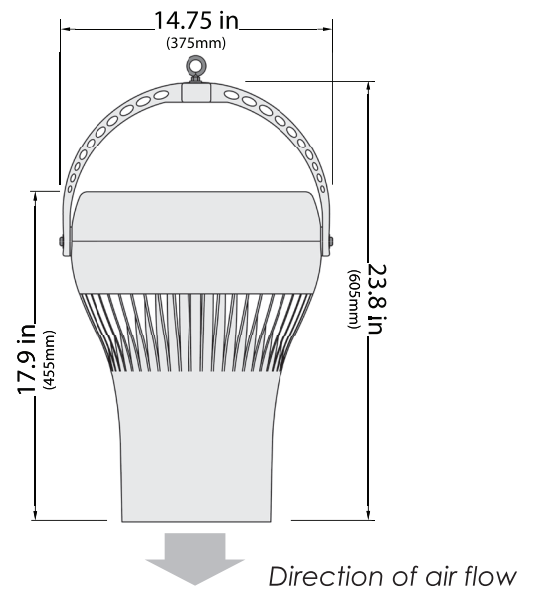
**Control Input:** 0-10VDC.

**Stator:** Patented multi-vane stator significantly increases air throw for maximizing performance.

**Certification:** Conforms to UL-507, CAN/CSA-C22.2 No. 1113. ETL listed in USA and Canada.

**Safety Cable:** 6' length steel cable (fastened to body)

**Warranty:** 3 years parts and workmanship.



## Technical Specifications



Model	Input Power, 1 Ø	Amps	Watts	RPM	dB(A) <sup>1</sup>	Weight	Colors
A-45-EC-STD-100-130-X	100-130VAC, 60Hz	1.9	154	2789	54, 53, 52	14 lbs.	X = Off white (W) , gray (G) or black (B)
A-45-EC-STD-200-277-X	200-277VAC, 60Hz	1.4	175	3050	54, 53, 52	14 lbs.	X = Off white (W) , gray (G) or black (B)

(1) Calculated sound pressure at 35, 40 and 45 foot distances based on non-reflective area. 85.7 dB(A) Sound Power Level, designed to meet ISO 3744 - engineering grade precision for determining sound power. Data independently verified by third party. Tests performed in-unit.

## Controls & Factory Installed Options

Item	Description
Pearlink-F	Pearlink Fan Sensor- One Per Fan. Wi-Fi iOS/Android App based controller
Pearlink-T	Pearlink wired (120v) Floor Thermostat- One Per Room
POT-1	Wall-mounted speed control. Low voltage control wiring daisy-chained between fans to be controlled as a group.
AiriusBAC24	BACnet MS/TP card for integration with an existing BACnet system. Individually control speed, on/off and monitor fan status.
BABS	Black ABS housing upgrade for increased chemical resistance. Applications such as machine shops or pools.

<b>Model:</b>	<b>Qty:</b>
Controls/Options:	Qty: