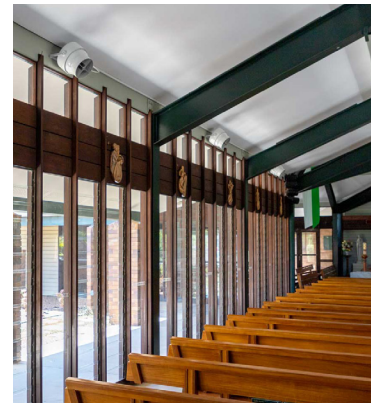
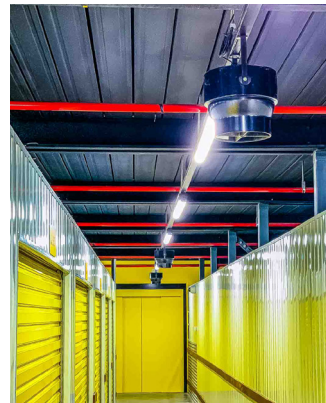




# PEARL

Improve comfort in your facility with a system of our compact, lightweight fans



## DISTRIBUTED COMFORT

Our Pearl fans are designed to be installed as a distributed network of devices to continuously provide airflow across spaces that suffer from stratification or require increased air circulation. The Pearl series of fans are designed to be compact and lightweight.

## WHERE WE HELP

- › Buildings with overhead air supply
- › Warehouses, gyms, hangars or other large spaces
- › Areas where other fans will not physically fit

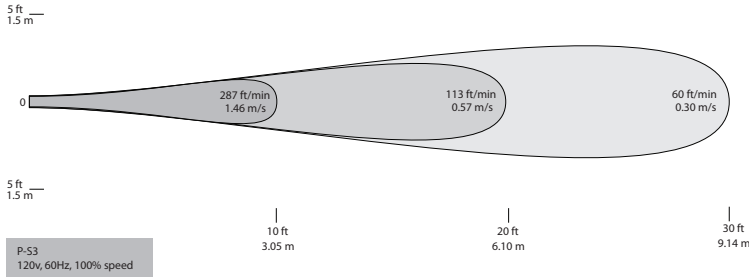
## Features

- › Basic shaded pole motors
- › Easy installation in new construction or retrofits
- › 3-year parts and workmanship warranty
- › ETL Listed in U.S. and Canada
- › 5VA Flame resistance rating
- › Made in the U.S.A.

## Optional

- › Manual wall mounted control
- › Smart Controller: Fixed speed, 0-10VDC, 2-20mah, or high/low temperature sensors.
- › Optional intake grille

# PEARL



**Housing:** PC/ABS, UL 94 5VA flame resistance.

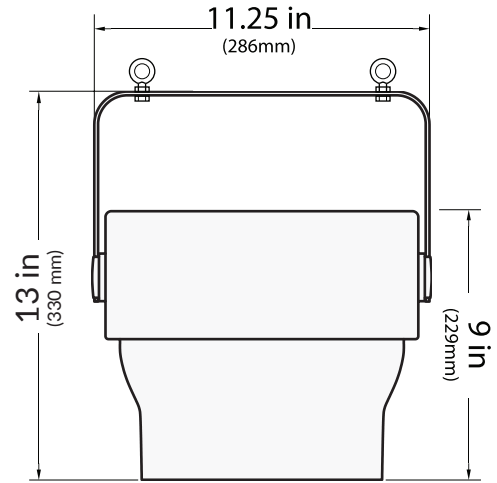
**Motor:** 228mm, single phase, shaded pole, axial motor. Motor is thermally protected. Operating temperature: -4° F (-20° C) to 158° F (70° C). No lubrication required. Bearings are sealed.

**Power Cord:** 6 foot cord and plug provided for 120V fans.

**Control Input:** Mains power. TRIAC or voltage controller.

**Certification:** Conforms to UL-507, CAN/CSA-C22.2 No. 1113. ETL listed in USA and Canada.

**Warranty:** 3 years parts and workmanship.



Direction of air flow



## Technical Specifications

Model	Input Power, 1 Ø	Amps	Watts	RPM	dB(A) <sup>1</sup>	Weight	Colors
P-S3-SP-STD-120-X	120VAC, 60Hz	0.14	16	860	32, 27, 21	6 lbs.	X = Off white (W) or black (B)

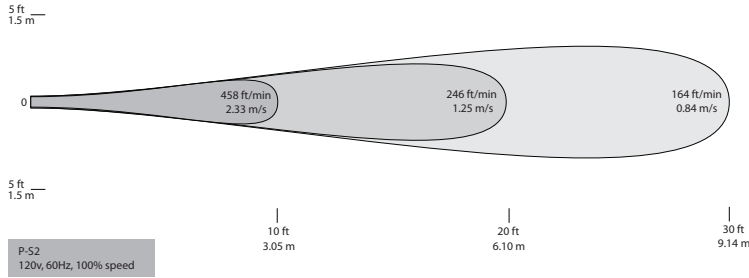
(1) Calculated sound pressure at 3, 5 and 10 foot distances based on non-reflective area. 41.8 dB(A) Sound Power Level, designed to meet ISO 3744 - engineering grade precision for determining sound power. Data independently verified by third party. Tests performed in-unit.

## Controls & Factory Installed Options

Item	Description
TRIAC-120-1.5	Wall mounted speed control. Input voltage 120VAC, 1.5A. Four step speed control and off.
TRIAC-120-5	Wall mounted speed control. Input voltage 120VAC, 5A.
TRIAC-120-15	Wall mounted speed control. Input voltage 120VAC, 15A.
TRIAC-120-7.5	J-box mounted speed control. Input voltage 95-250VAC, 7.5A. Fixed speed, 0-10VDC or 2-20mah.
TRIAC-120-7.5-AUTO	J-box mounted speed control. Input voltage 95-250VAC, 7.5A. High/Low temperature sensors adjust speed based on delta-T
GUARD25	Intake grille: Phosphated steel coated in black plastic
BABS	Black ABS housing upgrade for increased chemical resistance. Applications such as machine shops or pools.

<b>Model:</b>	<b>Qty:</b>
Controls/Options:	Qty:

# PEARL



**Housing:** PC/ABS, UL 94 5VA flame resistance.

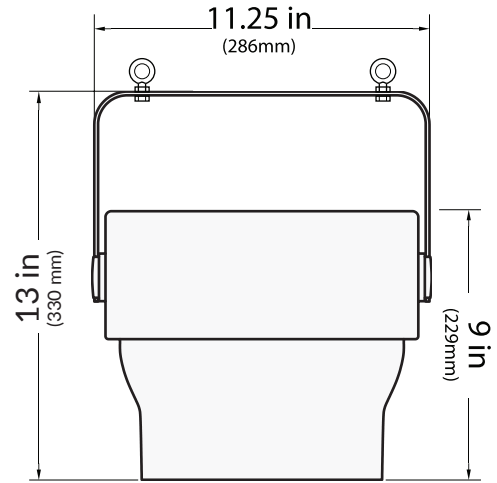
**Motor:** 228mm, single phase, shaded pole, axial motor. Motor is thermally protected. Operating temperature: -4° F (-20° C) to 158° F (70° C). No lubrication required. Bearings are sealed.

**Power Cord:** 6 foot cord and plug provided for 120V fans.

**Control Input:** Mains power. TRIAC or voltage controller.

**Certification:** Conforms to UL-507, CAN/CSA-C22.2 No. 1113. ETL listed in USA and Canada.

**Warranty:** 3 years parts and workmanship.



Direction of air flow



## Technical Specifications

Model	Input Power, 1 Ø	Amps	Watts	RPM	dB(A) <sup>1</sup>	Weight	Colors
P-S2-SP-STD-120-X	120VAC, 60Hz	0.18	18	1057	33, 27, 23	6 lbs.	X = Off white (W) or black (B)

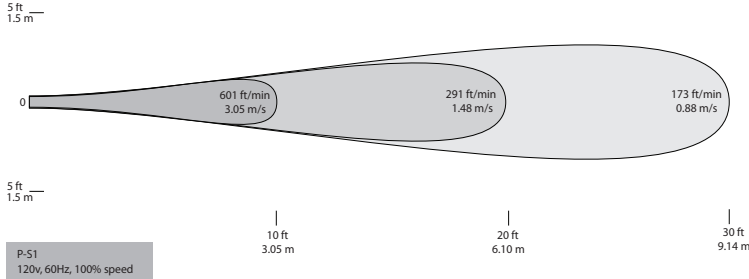
(1) Calculated sound pressure at 5, 10 and 15 foot distances based on non-reflective area. 47.3 dB(A) Sound Power Level, designed to meet ISO 3744 - engineering grade precision for determining sound power. Data independently verified by third party. Tests performed in-unit.

## Controls & Factory Installed Options

Item	Description
TRIAC-120-1.5	Wall mounted speed control. Input voltage 120VAC, 1.5A. Four step speed control and off.
TRIAC-120-5	Wall mounted speed control. Input voltage 120VAC, 5A.
TRIAC-120-15	Wall mounted speed control. Input voltage 120VAC, 15A.
TRIAC-120-7.5	J-box mounted speed control. Input voltage 95-250VAC, 7.5A. Fixed speed, 0-10VDC or 2-20mah.
TRIAC-120-7.5-AUTO	J-box mounted speed control. Input voltage 95-250VAC, 7.5A. High/Low temperature sensors adjust speed based on delta-T
GUARD25	Intake grille: Phosphated steel coated in black plastic
BABS	Black ABS housing upgrade for increased chemical resistance. Applications such as machine shops or pools.

<b>Model:</b>	<b>Qty:</b>
Controls/Options:	Qty:

# PEARL



**Housing:** PC/ABS, UL 94 5VA flame resistance.

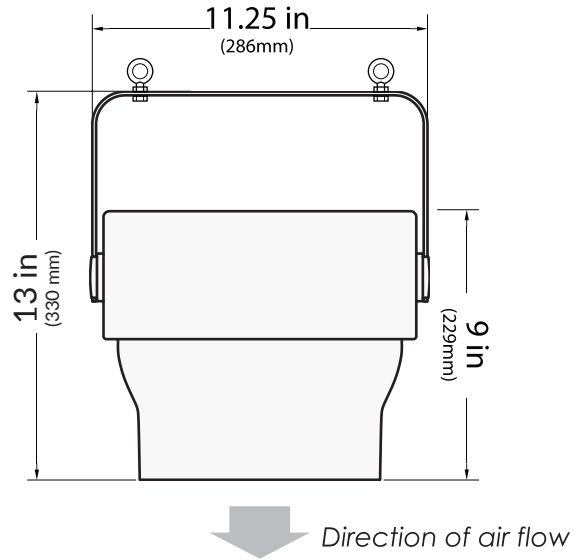
**Motor:** 228mm, single phase, shaded pole, axial motor. Motor is thermally protected. Operating temperature: -4° F (-20° C) to 158° F (70° C). No lubrication required. Bearings are sealed.

**Power Cord:** 6 foot cord and plug provided for 120V fans, no plug for 277V.

**Control Input:** Mains power. TRIAC or voltage controller.

**Certification:** Conforms to UL-507, CAN/CSA-C22.2 No. 1113. ETL listed in USA and Canada.

**Warranty:** 3 years parts and workmanship.



## Technical Specifications



Model	Input Power, 1 Ø	Amps	Watts	RPM	dB(A) <sup>1</sup>	Weight	Colors
P-S1-SP-STD-120-X	120VAC, 60Hz	0.31	37	1670	35, 33, 31	6 lbs.	X = Off white (W) or black (B)
P-S1-SP-STD-277-X	277VAC, 60Hz	0.17	45	1650	35, 33, 31	6 lbs.	X = Off white (W) or black (B)

(1) Calculated sound pressure at 15, 20 and 25 foot distances based on non-reflective area. 60 dB(A) Sound Power Level, designed to meet ISO 3744 - engineering grade precision for determining sound power. Data independently verified by third party. Tests performed in-unit.

## Controls & Factory Installed Options

Item	Description
TRIAC-120-1.5	Wall mounted speed control. Input voltage 120VAC, 1.5A. Four step speed control and off.
TRIAC-120-5	Wall mounted speed control. Input voltage 120VAC, 5A.
TRIAC-120-15	Wall mounted speed control. Input voltage 120VAC, 15A.
TRIAC-120-7.5	J-box mounted speed control. Input voltage 95-250VAC, 7.5A. Fixed speed, 0-10VDC or 2-20mah.
TRIAC-120-7.5-AUTO	J-box mounted speed control. Input voltage 95-250VAC, 7.5A. High/Low temperature sensors adjust speed based on delta-T
TRIAC-277-5	Wall mounted speed control. Input voltage 277VAC, 5A.
GUARD25	Intake grille: Phosphated steel coated in black plastic
BABS	Black ABS housing upgrade for increased chemical resistance. Applications such as machine shops or pools.

<b>Model:</b>	<b>Qty:</b>
Controls/Options:	Qty: