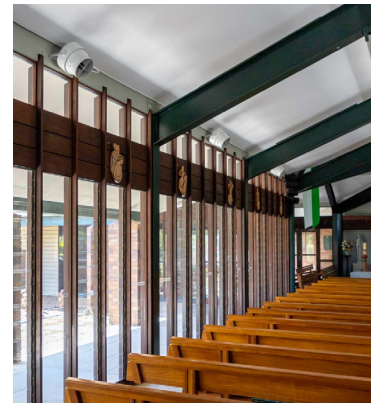
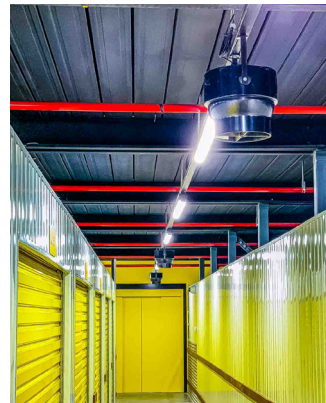




PEARL EC

Improve comfort in your facility with a system of our compact, lightweight fans



DISTRIBUTED COMFORT

Our Pearl Plus fans are designed to be installed as a distributed network of devices to continuously provide airflow across spaces that suffer from stratification or require increased air circulation. The Pearl series of fans are designed to be compact and lightweight.

WHERE WE HELP

- › Buildings with overhead air supply
- › Warehouses, gyms, hangars or other large spaces
- › Areas where other fans will not physically fit

Features

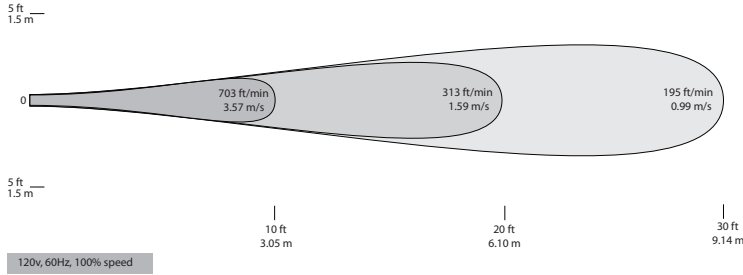
- › Premium electrically commutated motor by ebm-papst®
- › Easy installation in new construction or retrofits
- › 3-year parts and workmanship warranty
- › ETL Listed in U.S. and Canada
- › 5VA Flame resistance rating
- › Made in the U.S.A.

Optional

- › Manual wall mounted control
- › Wi-Fi App based Pearlink control
- › BACnet MS/TP card for integration with existing front end control systems
- › Optional intake grille

PEARL EC

AIRIUSFANS.COM | 888-247-7327



Housing: PC/ABS, UL 94 5VA flame resistance.

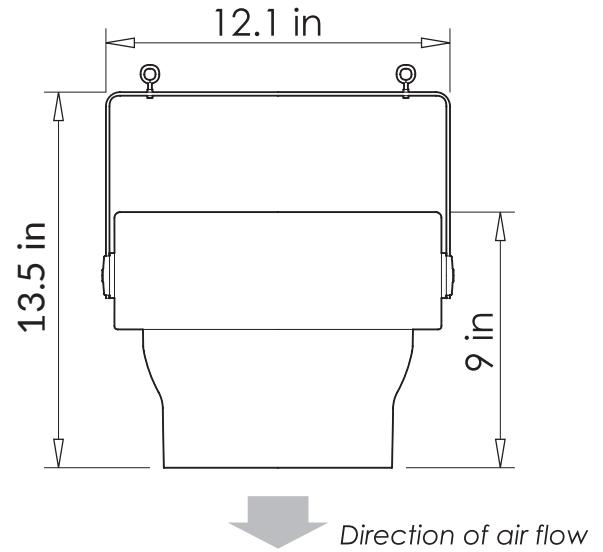
Motor: 230mm, electrically commutated, thermally-protected axial motor by ebm-papst®. Operating temperature: -22°F (-30°C) to 122°F (50°C). No lubrication required, bearings are sealed.

Power Cord: 6 foot cord and plug provided for 100-130V fans, no plug for 200-250V.

Control Input: 0-10VDC.

Certification: Conforms to UL-507, CAN/CSA-C22.2 No. 1113. ETL listed in USA and Canada.

Warranty: 3 years parts and workmanship.



Technical Specifications

Model	Input Power, 1 Ø	Amps	Watts	RPM	dB(A) ¹	Weight	Colors
P-E1-STD-100-130-X	100-130VAC, 60Hz	0.46	31	1640	44, 42, 40	6 lbs.	X = Off white (W) or black (B)
P-E1-STD-200-250-X	200-250VAC, 60Hz	0.26	30	1700	44, 42, 40	6 lbs.	X = Off white (W) or black (B)

(1) Calculated sound pressure at 5, 10 and 15 foot distances based on non-reflective area. 62 dB(A) Sound Power Level, designed to meet ISO 3744 - engineering grade precision for determining sound power. Data independently verified by third party. Tests performed in-unit.

Controls & Factory Installed Options

Item	Description
Pearlink-F	Pearlink Fan Sensor- One Per Fan. Wi-Fi iOS/Android App based controller
Pearlink-T	Pearlink wired (120v) Floor Thermostat- One Per Room
POT-1	Wall-mounted speed control. Low voltage control wiring daisy-chained between fans to be controlled as a group.
AiriusBAC24	BACnet MS/TP card for integration with an existing BACnet system. Individually control speed, on/off and monitor fan status.
GUARD25	Intake grille: Phosphated steel coated in black plastic. Recommended for installations where occupants can reach fans.
BABS	Black ABS housing upgrade for increased chemical resistance. Applications such as machine shops or pools.

Model:	Qty:
Controls/Options:	Qty: