

DELTA-T EC FAN CONTROL

AIRIUS DELTA-T CONTROL

Airius Delta-T controls allow for 5 modes of operation. Compatible with all EC motor options.

Operating Temperature: -30 to 140°F

Humidity Range: 5 to 95% RH (non-condensing)

Power Input: 24VDC

Power Output: 0-10VDC

Communication Wiring: 4 conductor 22-24AWG, low capacitance

Interface Display Type: LCD

Units: Fahrenheit or Celsius

High Sensor: Air Temperature and humidity

Low Sensor: Air Temperature and humidity

Limitations: Max distance of 82ft between interface and sensors. Control wire length from control to fans should not exceed 750 ft.

Modes of operation include:

- Automatic Delta-T control - Automatic dynamic fan speed control based off the differential between the supplied temperature sensors. Users can define and adjust max/min speed and set speed at various Delta T intervals.
- Manual control - Up/down arrows on the interface will override any automatic control modes for 8 manual speed steps.
- 24hr Timer - Set fans to turn on and off at a set time everyday.
- Humidistat control - When relative humidity reaches a user defined threshold the fans energize to a set speed defined by the user.
- Thermostat control - When the air temperature reaches a user defined threshold the fans energize to a set speed defined by the user.

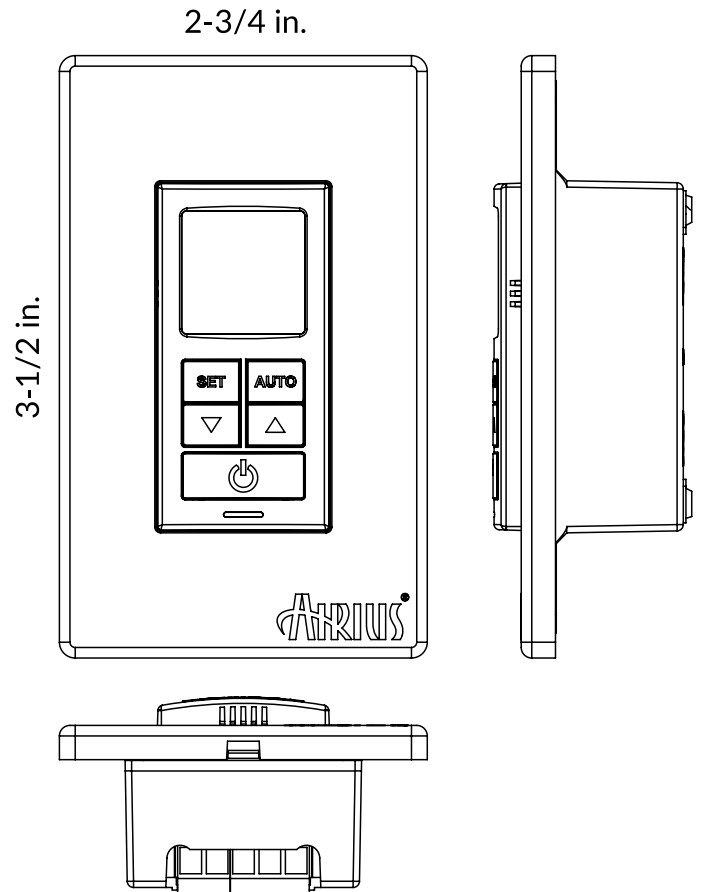
Each package includes a 24VDC power supply, LCD interface and two temperature/humidity sensors.

Requires wiring and three standard 2x4 electrical boxes.

Warranty: 1 year parts and workmanship.

Part Number:

- DeltaT-EC-Pack



Information subject to change at anytime. V1.2 ©2024 Airius, LLC

Wiring Diagram

