

# DELTA-T EC FAN CONTROL

## AIRIUS DELTA-T CONTROL

Airius Delta-T controls allow for 5 modes of operation. Compatible with all EC motor options.

**Operating Temperature:** -30 to 140°F

**Humidity Range:** 5 to 95% RH (non-condensing)

**Power Input:** 24VDC

**Power Output:** 0-10VDC

**Sensor Wire:** CAT5 FTP or CAT5e FTP

**Interface Display Type:** LCD

**Units:** Fahrenheit or Celsius

**High Sensor:** Air Temperature and humidity

**Low Sensor:** Air Temperature and humidity

**Limitations:** Max distance of 82ft between interface and sensors. Control wire length from control to fans should not exceed 750 ft.

### Modes of operation include:

- Automatic Delta-T control - Automatic dynamic fan speed control based off the differential between the supplied temperature sensors. Users can define and adjust max/min speed and set speed at various Delta T intervals.
- Manual control - Up/down arrows on the interface will override any automatic control modes for 8 manual speed steps.
- 24hr Timer - Set fans to turn on and off at a set time everyday.
- Humidistat control - When relative humidity reaches a user defined threshold the fans energize to a set speed defined by the user.
- Thermostat control - When the air temperature reaches a user defined threshold the fans energize to a set speed defined by the user.

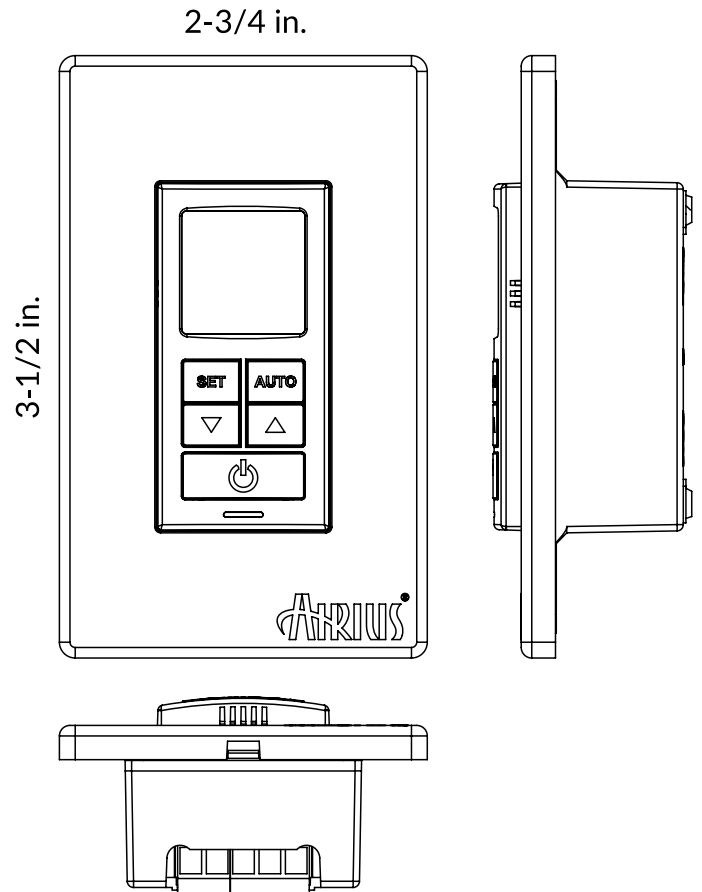
Each package includes a 24VDC power supply, LCD interface and two temperature/humidity sensors.

**Requires wiring and three standard 2x4 electrical boxes.**

**Warranty:** 1 year parts and workmanship.

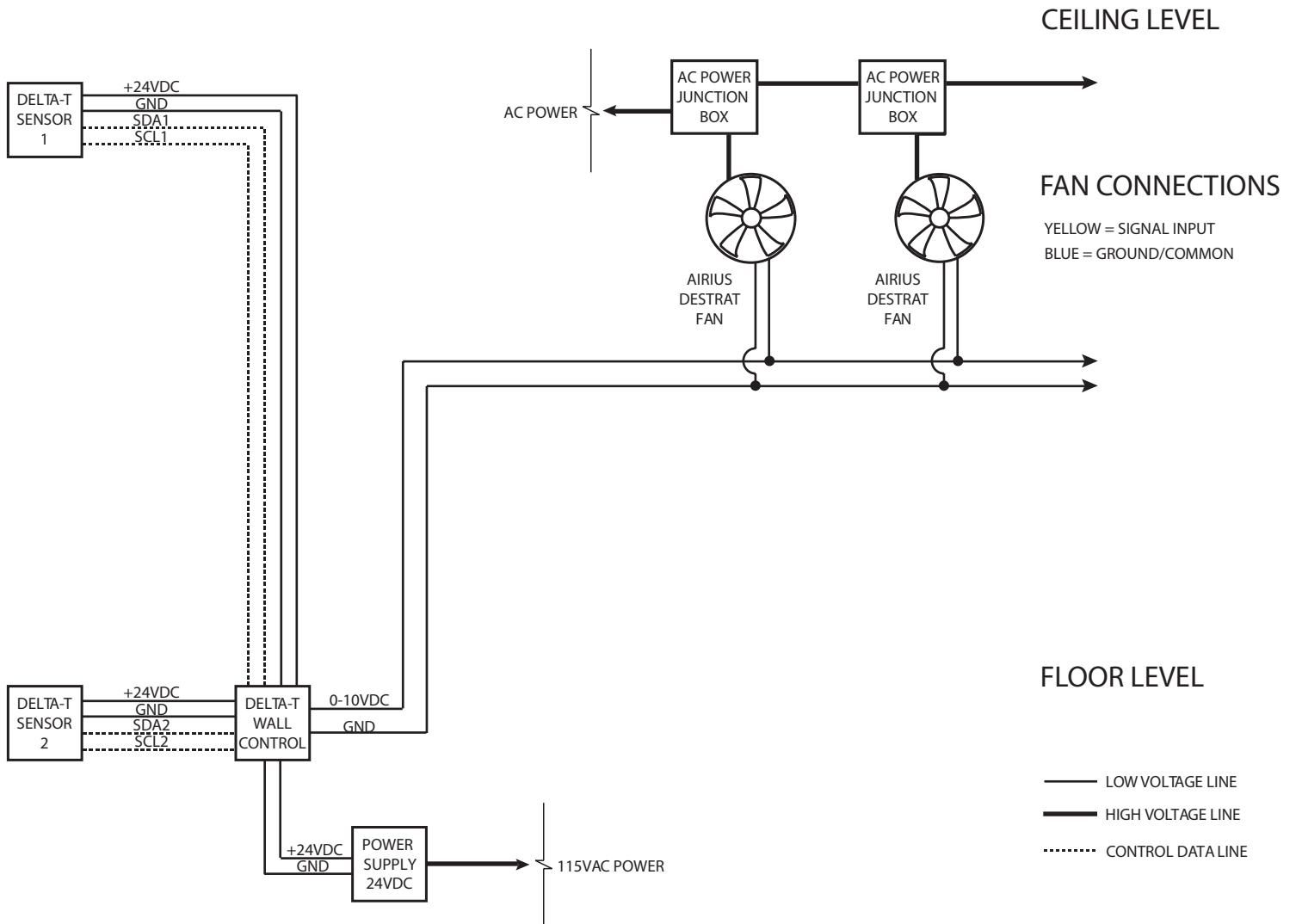
### Part Number:

- DeltaT-EC-Pack



Information subject to change at anytime. V1.2 ©2024 Airius, LLC

## Wiring Diagram



Information subject to change at anytime. V1.2 ©2024 Airius, LLC